



Tel: +86-592-6682467

E-mail: sales@greatmagtech.com

Mob/Wechat/Whatsapp: +86-13850081554

Website: <https://www.greatmagtech.com>

<https://www.gme-magnet.com>

Address: 5F, No. 601 Hengtian Rd, Jimei District, Xiamen, China (361024)

**Great Magtech (Xiamen)
Electric Co., Ltd**

Magnetic Separator

Since 2015



Industries

GME Magnetic Separators are used in food, dairy, grain & milling, chemical, plastics, oil, textile, recycling, and other industries for applications and products similar to yours. You can rely on our magnetic separation equipment to eliminate product contamination and damage to machinery from tramp metal economically and cost-effectively. Magnetic separators can be ordered to meet specific construction standards and customized to satisfy your special requirements.



Chemical



Food



Mining



Pharmaceutical



Plastic

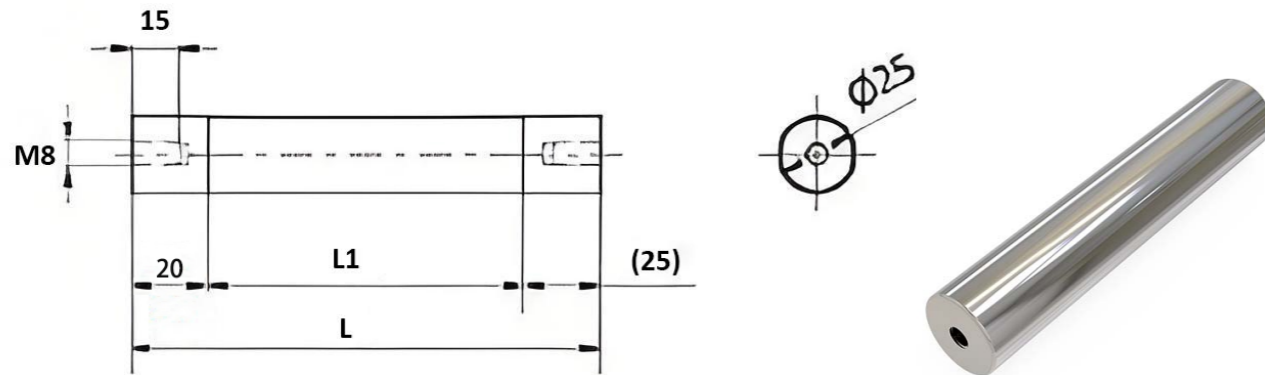


Recycling

Neodymium Magnetic Filter Rod

Features

1. All 316 stainless steel encased.
2. Manufactured to virtually any length.
3. Available with powerful rare earth magnets.
4. Tapped ends to your requirements.
5. Can be supplied and assembled in the form of a Magnetic Grid.
6. Available in various finishes: mill finish, dull polish, mirror finish.
7. Heat resistant to 80 degrees C.
8. Higher temperature-resistant versions are available.



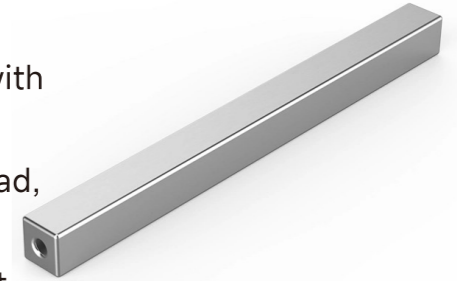
Specification parameter

Diameter(mm)	Gauss	Length(mm)	Thread
D25	8000-14000GS	100	M8
		150	
		200	
		250	
		300	
		350	
		400	
		450	
		500	
		550	
		600	
700			
800			
1000			

Square Magnetic Rod Separator

Features

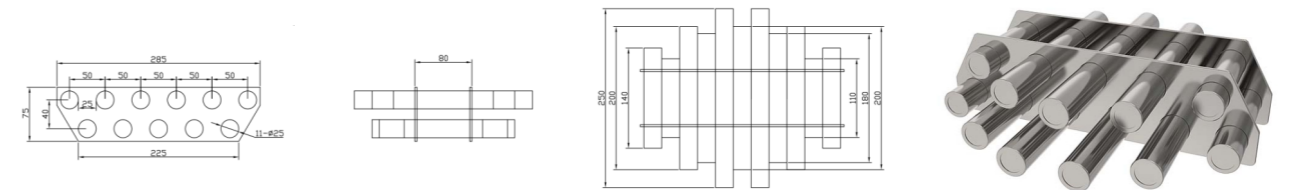
1. Pipeline materials: 304, 316, or 316L stainless steel, polished to food and pharmacy industry standards.
2. Standard working temperature: <80°C, max: 300°C with samarium cobalt magnet.
3. End types: nail heads, female thread holes, male thread, double screw bolts.
4. Magnet options: ferrite, neodymium, samarium cobalt.
5. Easy-cleaning magnetic tubes available.



Double Layer Hopper Magnet

Features

1. The shell material: SS304, SS316, SS316L.
2. The magnetic strength grade: 6000Gs, 8000Gs, 10000Gs, 11000GS, 12000Gs, 13000Gs, 14000Gs.
3. Working temperature grade <: 80, 100, 120, 150, 180, 200 degree Celsius.
4. Various designs available: easy clean type, one layer, multi-layer.
5. Sizes and Shape: any sizes and any shapes, such as square, rectangle, round, oval, triangle, rhombus or irregular polygon.
6. Various types of grate magnets can be customized according to requirements.



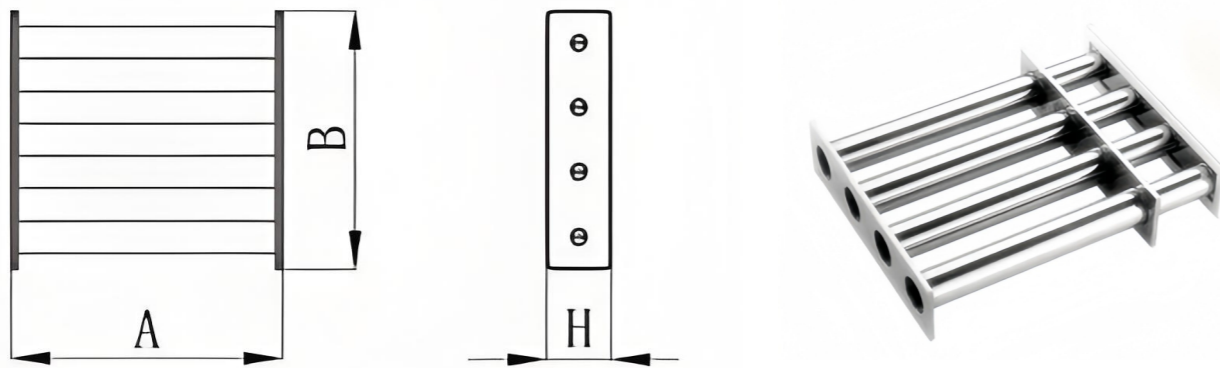
Specification parameter

Diameter(mm)	Height	Diameter of rod	Gauss
280	80	22	2500
			8000
			10000
			12000

Easy-Clean Magnetic Grid

Features

1. Standard magnetic grids are assembled with stainless steel frames and magnetic bars with a length of 25 mm diameter.
2. The surface of the frame and magnetic bar, 304 or 316L stainless steel, has good corrosion-resisting properties without less pollution, can be fine polished, and meets the standard of the food or pharmacy industry.
3. Standard working temperature 80°C, and maximum working temperature can reach 350°C as required.
4. Easy-cleaning, grates with angle baffles or rods are available.



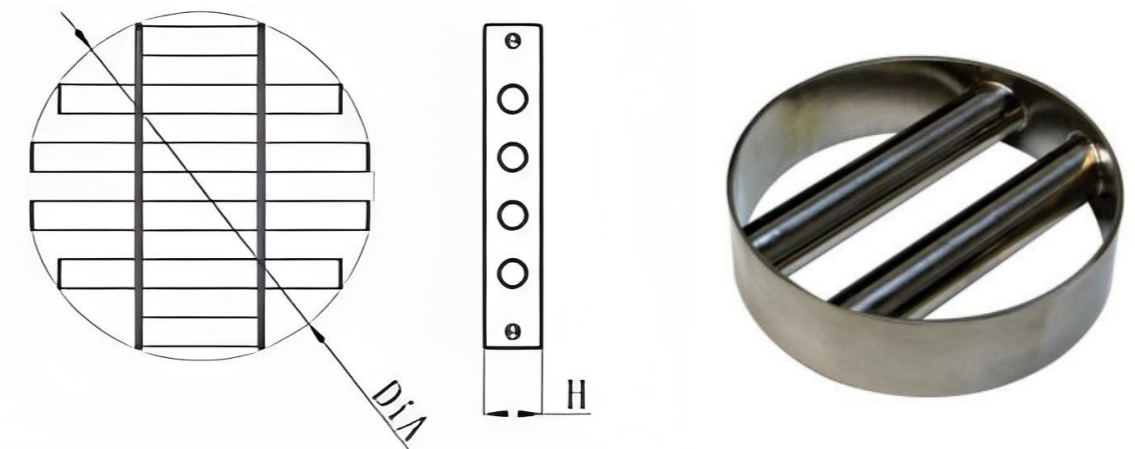
Specification parameter

Shelf Size	Height A	Distance B	Distance H	Bar Quantity	Weight
MM	MM	MM	MM	Pcs	KG
100x100	100	100	40	2	1
150x150	150	150	40	3	2.2
200x200	200	200	40	4	3.7
250x250	250	250	40	5	5.5
300x300	300	300	40	6	8
350x350	350	350	40	7	10
400x400	400	400	40	8	13.5
450x450	450	450	40	9	17
500x500	500	500	40	10	20.5

Round Shape Magnetic Grid

Features

1. The shelf and pipe material is SS304 or SS316L stainless steel, which is corrosion-resistant and pollution-free.
2. The standard magnetic frame is composed of a metal frame and a 25mm diameter magnetic bar arranged at a distance of 50mm from the center and then fixed or assembled by screws.
3. The surface can be polished to meet the requirements of food or drug use levels.
4. Standard working temperature $\leq 80^{\circ}\text{C}$, under special requirements, the maximum working temperature can reach 350°C .
5. It also takes the customer's magnetic grate designs.
6. Customer designs and specifications can be fulfilled.



Specification parameter

Diameter(mm)	Dia	H	Bars	Weight(kg)
MG-R100	100	40	2	0.9
MG-R150	150	40	3	1.5
MG-R200	200	40	4	2.5
MG-R250	250	40	5	3.7
MG-R300	300	40	6	5.5
MG-R350	350	40	7	7.5
MG-R400	400	40	8	10
MG-R450	450	40	9	12.3
MG-R500	500	40	10	15.5

Hopper Grate Magnet with Baffles

Features

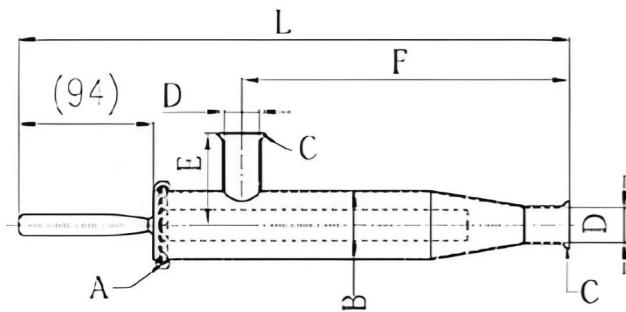
1. Shell material: SS304, SS316, SS316L.
2. Magnetic strength: 2000 to 12000Gs.
3. Working temperature: up to 300°C.
4. Designs: easy clean, one-layer, multilayer.
5. Sizes and shapes: any, including square, rectangle, round, oval, triangle, rhombus, or custom.



Angle Type Magnetic Liquid Traps

Features

1. Different styles for various materials.
2. Max magnetic strength: 13000GS (N Style), 8000GS (E Style).
3. Standard temperature $\leq 80^{\circ}\text{C}$, max 350°C as required.
4. Easy installation and cleaning via ferrule, bolt plate, flange, etc.
5. Pipeline material: 304 or 316L stainless steel.
6. Optimal magnetic configuration for maximum effect without impeding flow.
7. Custom specifications on pressure or other details available.



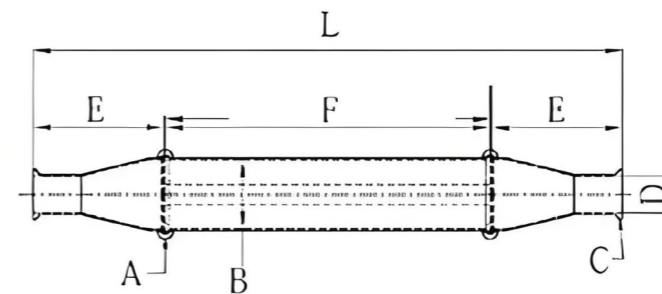
Specification parameter

Item No.	A	φB	C	φD	E	F	L
GM-E10	2S	47.8	1S	23	55	200	359
GM-E15	2S	47.8	1.5S	35.7	70	200	359
GM-E20	2.5S	59.5	2S	47.8	82	250	416

Stainless Steel Angle Type Magnetic Filter

Features

1. We designed different styles for the use of different materials.
2. The maximum magnetic strength can reach 13000GS for normal (N Style) and 8000GS for easy cleaning (E Style).
3. Standard working temperature $\leq 80^{\circ}\text{C}$, and maximum working temperature can reach 350°C as required.
4. Easy installation, separation, and cleaning through ferrule, bolt plate, flange or uneven head, etc.
5. 304 or 316L stainless steel is available for pipeline material.
6. Ideal designed magnetic configuration ensures maximum magnetic effect without liquid flow impediment.
7. As required, customer specifications on pressure or other details are also available.



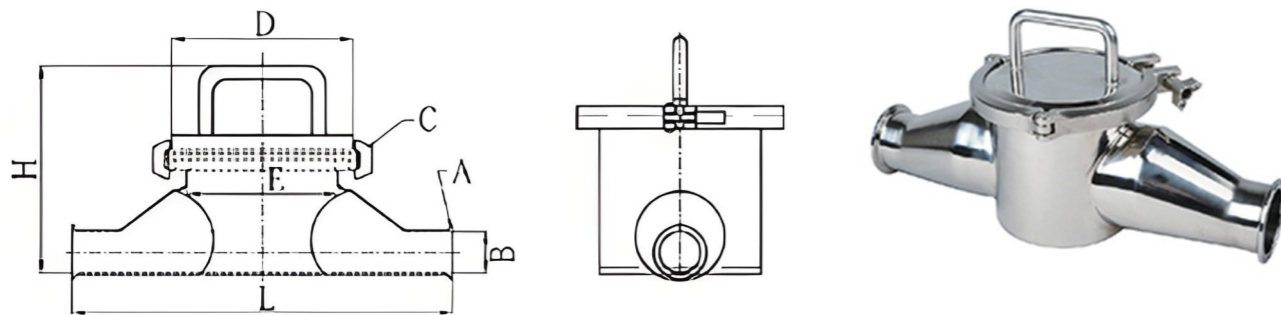
Specification parameter

Item No.	A	φB	C	φD	E	F	L
GM-E10	2S	47.8	1S	23	60	226	350
GM-E10-1	2S	47.8	1S	23	55	226	340
GM-E15	2S	47.8	1.5S	35.7	70	226	350
GM-E20	2.5S	59.5	2S	47.8	82	226	450

Quick Interface Connector Magnetic Liquid Trap

Features

1. The maximum magnetic strength can reach 13000GS for normal (N Style) and 8000GS for easy cleaning (E Style).
2. Standard working temperature $\leq 80^{\circ}\text{C}$, and maximum working temperature can reach 350°C as required.
3. Easy installation, separation, and cleaning through ferrule, bolt plate, flange or uneven head, etc.
4. 304 or 316L stainless steel is available for pipeline material.
5. Ideal designed magnetic configuration ensures maximum magnetic effect without liquid flow impediment.
6. As required, customer specifications on pressure or other details are also available.



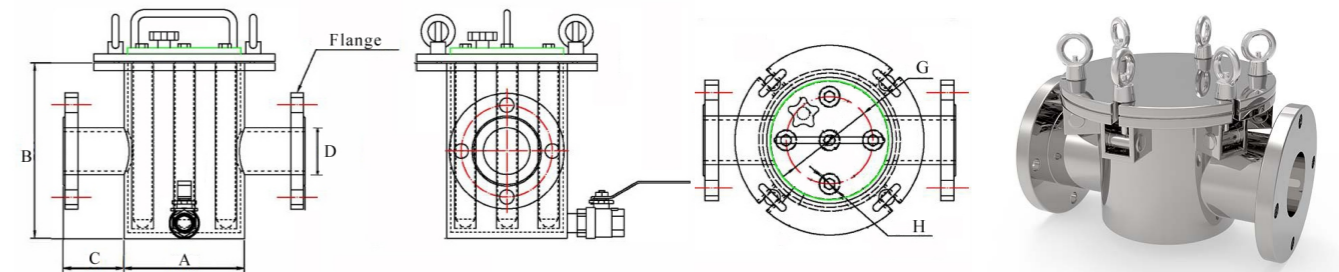
Specification parameter

Item No.	A	B	C	D	E	L	H	No.of rods
GM-OS15-25	1.5S	35.7	4.5S	130	114.3	330	180	5
GM-OS20-25	2S	47.8	4.5S	130	114.3	330	180	5
GM-OS25-25	2.5S	59.5	5.5S	155	139.8	420	205	7
GM-OS30-25	3S	72.3	5.5S	155	139.8	420	205	7
GM-OS35-25	3.5S	85.1	5.5S	155	139.8	420	205	7

Magnetic Liquid Traps Magnetic Filter

Features

1. Many different styles are available for different materials.
2. The max magnetic strength can reach 12,000GS for N style, 8000Gs for E style.
3. Standard working temperature at $\leq 80^{\circ}\text{C}$, max working temperature can be chosen from 80°C to 350°C as the same with magnetic bars if needed.
4. Connection can be through ferrule, bolt plate, flange, uneven head, etc.
5. Stainless steel 304 or 316L is available for the shell material
6. Properly designed magnetic configuration ensures maximum magnetic effect without impeding liquid flow.
7. Pressure design or another special requirement can be custom-made.



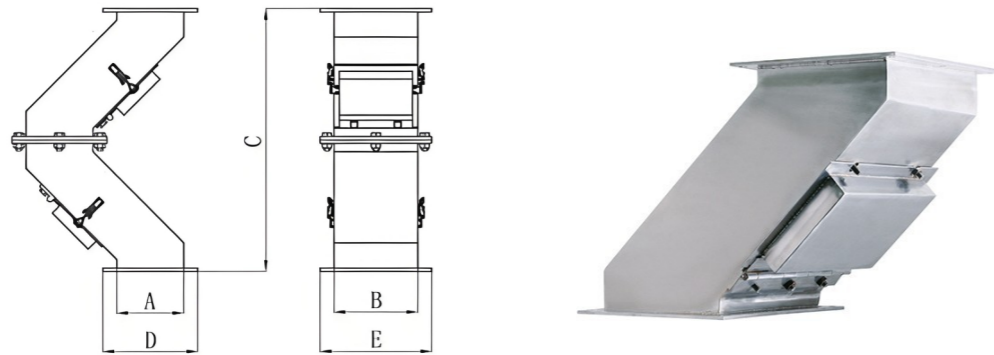
Specification parameter

Item No.	Flange/Connector	A	B	C	D	G	H	Bar Quantity
MS159-DN32	DN32	$\Phi 159$	230	80	$\Phi 39$	$\Phi 110$	$\Phi 25$	5
MS159-DN40	DN40	$\Phi 159$	230	80	$\Phi 46$	$\Phi 110$	$\Phi 25$	5
MS159-DN50	DN50	$\Phi 159$	230	80	$\Phi 59$	$\Phi 110$	$\Phi 25$	5
MS219-DN65	DN65	$\Phi 219$	300	100	$\Phi 78$	$\Phi 150$	$\Phi 25$	7
MS219-DN80	DN80	$\Phi 219$	300	100	$\Phi 91$	$\Phi 150$	$\Phi 25$	7
MS219-DN100	DN100	$\Phi 219$	300	100	$\Phi 110$	$\Phi 150$	$\Phi 25$	7
MS273-DN125	DN125	$\Phi 273$	330	100	$\Phi 135$	$\Phi 200 \& \Phi 100$	$\Phi 25$	10
MS273-DN150	DN150	$\Phi 273$	330	100	$\Phi 161$	$\Phi 200 \& \Phi 100$	$\Phi 25$	10
MS325-DN200	DN200	$\Phi 325$	360	114	$\Phi 222$	$\Phi 250 \& \Phi 125$	$\Phi 25$	13
MS377-DN250	DN250	$\Phi 377$	420	116	$\Phi 276$	$\Phi 300 \& \Phi 160$	$\Phi 25$	15
MS426-DN300	DN300	$\Phi 426$	460	118	$\Phi 328$	$\Phi 340 \& \Phi 175$	$\Phi 25$	17
MS480-DN350	DN350	$\Phi 480$	510	120	$\Phi 381$	$\Phi 380 \& \Phi 200$	$\Phi 25$	19
MS630-DN400	DN400	630	700	135	426		$\Phi 25$	21

Half Hump Magnetic Separator

Features

1. One separation unit from the plate magnet.
2. Magnetic plates can be made from rare earth magnets or ferrite magnets as per customer's request, Housing material can be 304 or 316 stainless steel.
3. The design of the angle shape makes the material to flow directly into the magnetic field in order to prevent the material from caking and bridging and even to break up the caked material.
4. Simple structure, easy cleaning, and assembling.
5. Custom-made is available for inlet, outlet, and any other special requirements.



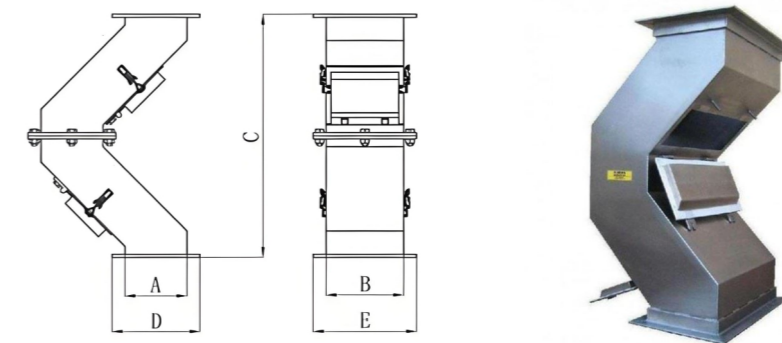
Specification parameter

EM NO	Dimension(mm)					Weight(Kg)
	A	B	C	D	E	
SWFHM120	120	150	470	170	200	15
SWFHM150	150	178	750	250	220	37
SWFHM200	200	178	750	300	220	49
SWFHM250	250	178	750	350	220	61
SWFHM300	300	178	750	400	220	73
SWFHM350	350	200	1110	450	300	141
SWFHM400	400	200	1110	500	300	161
SWFHM450	450	200	1110	550	300	181
SWFHM500	500	200	1110	600	300	201

Hump Magnetic Separator

Features

1. Easy installation
2. Easy cleaning
3. Risk free handling
4. Effective on extracting ferrous contamination
5. Can be installed in any area required
6. No power supply required
7. Simple design
8. Magnet power customization depending upon the requirement



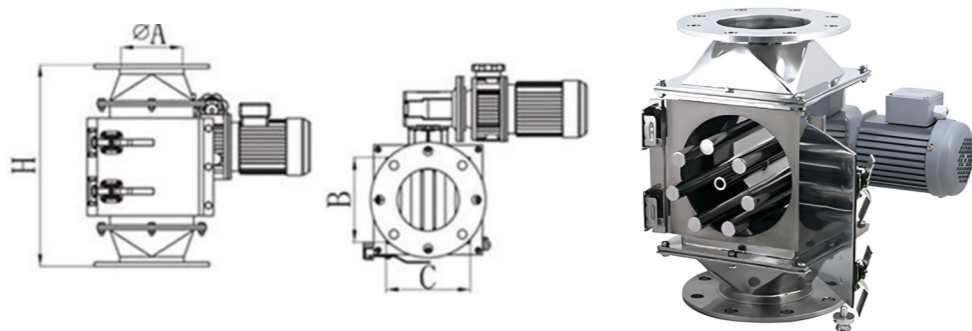
Specification parameter

EM NO	Dimension(mm)					Weight(Kg)
	A	B	C	D	E	
SWFHM120	120	150	470	170	200	15
SWFHM150	150	178	750	250	220	37
SWFHM200	200	178	750	300	220	49
SWFHM250	250	178	750	350	220	61
SWFHM300	300	178	750	400	220	73
SWFHM350	350	200	1110	450	300	141
SWFHM400	400	200	1110	500	300	161
SWFHM450	450	200	1110	550	300	181
SWFHM500	500	200	1110	600	300	201

Demountable Rotary Magnetic Separator

Features

1. Rotary valve body option
2. Rotor support
3. Magnetic protection without restricting product flow
4. Rare Earth magnets encased in stainless steel tube provide maximum cleaning efficiency
5. Designed to remove ferrous particles from the product
6. Air-purged shaft seals
7. Air service unit
8. Direct drive
9. Hand demountable easy clean design



Specification parameter

EM NO	Dimension(mm)					Bar QTY	Weight(Kg)
	ΦA	B	C	H	KW		
RMS150	150	205	208	450	0.25	7	43
RMS200	200	255	258	500	0.25	9	54
RMS250	250	305	308	550	0.25	11	62
RMS300	300	355	358	600	0.37	13	72
RMS350	350	405	408	650	0.37	15	84
RMS2020	-	205	208	270	0.25	7	29
RMS2525	-	255	258	320	0.25	9	38
RMS3030	-	305	308	370	0.25	11	43
RMS3535	-	355	358	420	0.37	13	52
RMS4040	-	405	408	450	0.37	15	62.5

Drum Head Roller Separator

Features

1. The drum body can be made from cheap ferrite magnets.
2. The max magnetic strength can be up to 15000GS if made from powerful rare earth magnets.
3. Axial or radial pole magnetic circuit.
4. The surface material is 100% 304 or 316L stainless steel which is all welded rugged construction and in good corrosion resistance.
5. No electric power is required for magnetic field generation.
6. Bored and keyed hubs, a special design for two ends of the pulley is to connect with a motor.
7. An automatic separation system can be formed if the pulley works together with the conveyor.



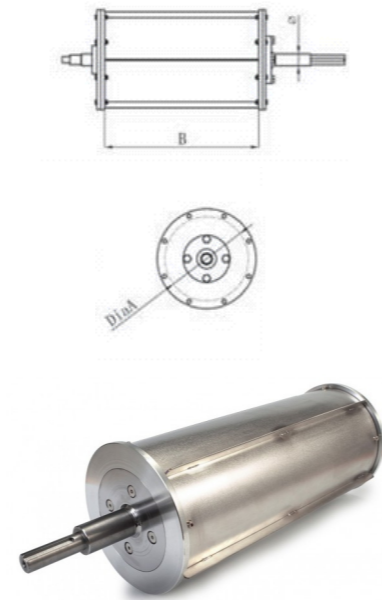
Specification parameter

Model No.	Dia A	B	Dia D	Dia C	Weight (Kg)
MP2030	200	350	40	30	33
MP2040	200	450	40	30	42
MP2050	200	550	40	30	51
MP2060	200	650	40	30	60
MP2070	200	750	40	30	69
MP2080	200	850	40	30	78
MP2090	200	950	40	30	87
MP20100	200	1050	40	30	96
MP3030	300	350	50	40	74
MP3040	300	450	50	40	95
MP3050	300	550	50	40	116
MP3060	300	650	50	40	137
MP3070	300	750	50	40	158
MP3080	300	850	50	40	179
MP3090	300	950	50	40	200
MP30100	300	1050	50	40	221
MP4030	400	350	60	50	131
MP4040	400	450	60	50	168
MP4050	400	550	60	50	205
MP4060	400	650	60	50	242

Half Drum Magnet Separator

Features

1. Mirror polished all over where the material will contact while outside house Brushing or Sandblasted.
2. 100% SS304 or 316L outside, which is in good corrosion resistance.
3. Continuous self-cleaning design is suitable for automated production lines electric power is required for magnetic field generation.
4. Multiform magnetic strength standard. Magnetic strength can be chosen by the customer.
5. Customer designs and specifications can be fulfilled.



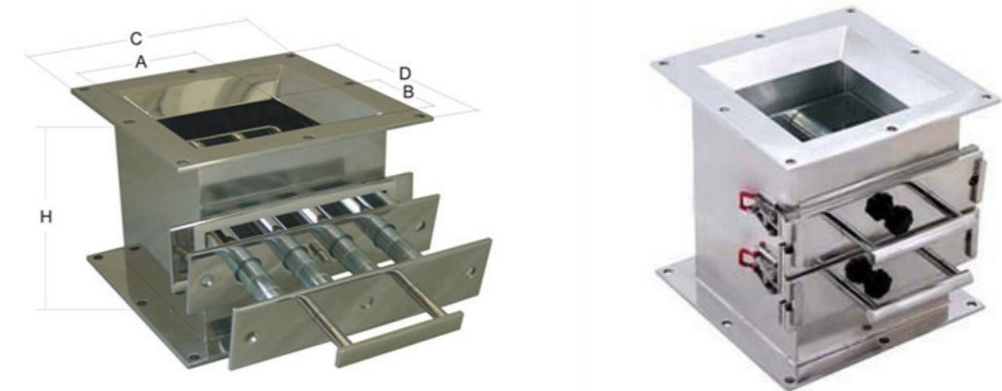
Specification parameter

Model No.	Dia A	B	Φ	Weight (Kg)
HMD2130	215	300	25	29
HMD2135	215	350	25	34
HMD2140	215	400	25	39
HMD2145	215	450	25	44
HMD2150	215	500	25	49
HMD2160	215	600	25	59
HMD2170	215	700	25	69
HMD2180	215	800	25	79
HMD2190	215	900	25	89
HMD3170	315	700	25	142
HMD3180	315	800	25	162
HMD3190	315	900	25	182
HMD3110	315	1000	28	202
HMD3111	315	1100	28	222
HMD4030	400	300	28	100
HMD4035	400	350	28	116
HMD4040	400	400	28	132
HMD4045	400	450	28	148

Drawer Magnets for Magnetic Separation

Features

1. The frames and housing material: SS304, SS316, SS316L;
2. The surface finishing: Fine polishing, dull polish, or sandblasting;
3. The magnetic strength grade: 3000Gs, 8000Gs, 10000Gs, 12000Gs;
4. Working temperature grade <: 80, 100, 120, 150, 180, 200 degrees Celsius;
5. Type of mounting: Round or Square, flange or quick-release clamp;
6. Various designs available: Easy clean type, one layer, multilayer;
7. Customer designs and specifications can be fulfilled.



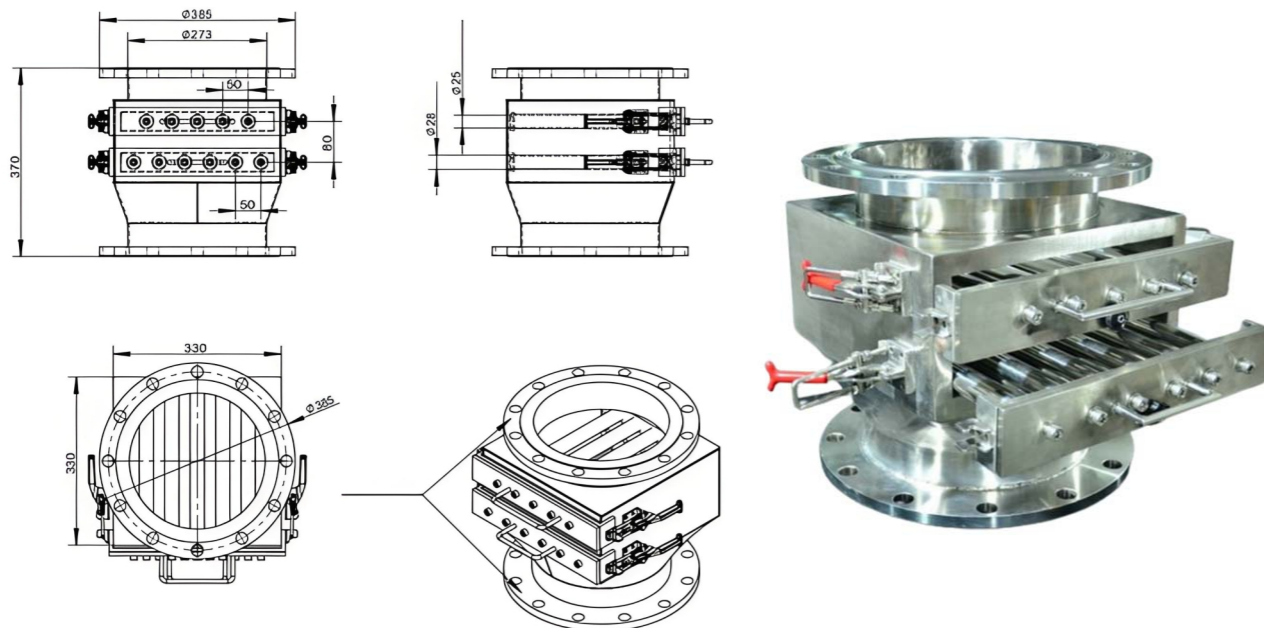
Specification parameter

Part No.	A=B	C=D	H
MD-S-S-100	100	180	200
MD-S-S-150	150	230	200
MD-S-S-200	200	280	200
MD-S-S-250	250	330	220
MD-S-S-300	300	380	220
MD-S-S-350	350	430	220
MD-S-S-400	400	480	220

Double-Layered Drawer Magnets

Features

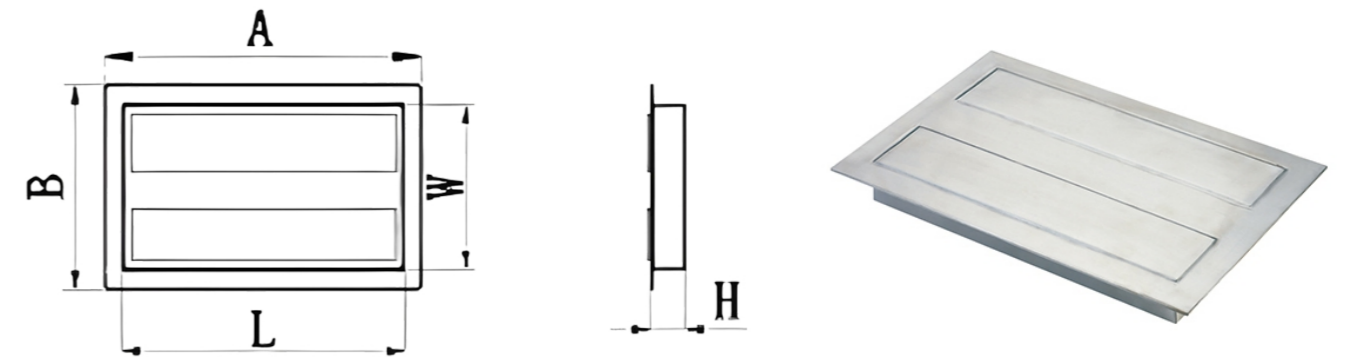
1. 304 or 316L stainless steel is available for pipeline material which can be fine polished and meet the standard of the food or pharmacy industry.
2. double-layered/Multi-layered.
3. Easy-clean type can be selected.
4. Different fittings are available to easily connect the Magnetic Liquid Trap to any pipeline.
5. The maximum magnetic induction intensity can reach 12000GS for normal types and 10000GS for easy-clean types.
6. The standard working temperature can reach 80 °C and the maximum working temperature can reach 350°C if needed.
7. We also offer customized products.



Exposed Pole Plate Separators

Features

1. Plates with different magnetic action ranges and strong magnetic strength are available.
2. Easy cleaning and assembling.
3. Housing material is stainless steel 304 or 316L which is no pollution to materials.
4. Magnetic plates with different dimensions and extra parts like hinges, handles, and mounting holes can be custom-made.



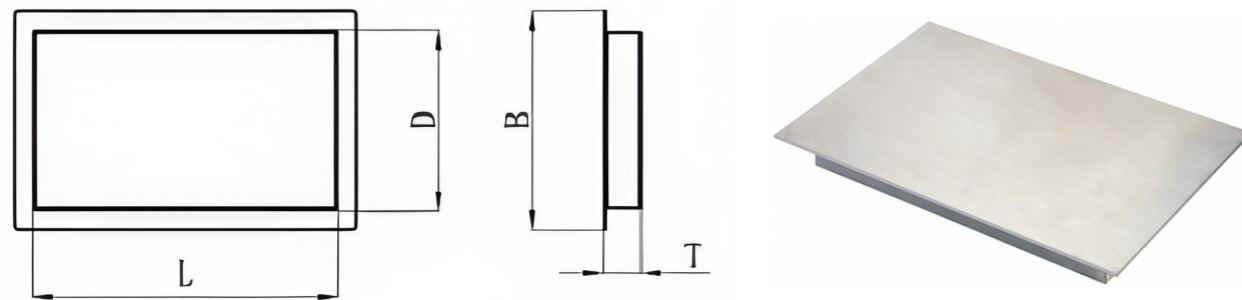
Specification parameter

Model NO	B	D	T	Magnets Action	Weight
	MM	MM	MM	Range	KG
EP60	250	175	51	60	5.7
EP120	300	225	76	120	10.4
EP150	450	360	111	150	19.1
EP60	190	125	36	60	3.7
EP120	250	175	46	120	5.9
EP150	330	240	56	150	10.3

Flush Face Plate Magnet

Features

1. Plates with different magnetic action ranges and strong magnetic strength are available.
2. Easy cleaning and assembling.
3. Housing material is stainless steel 304 or 316L which is no pollution to materials.
4. Magnetic plates with different dimensions and extra parts like hinges, handles, and mounting holes can be custom-made.



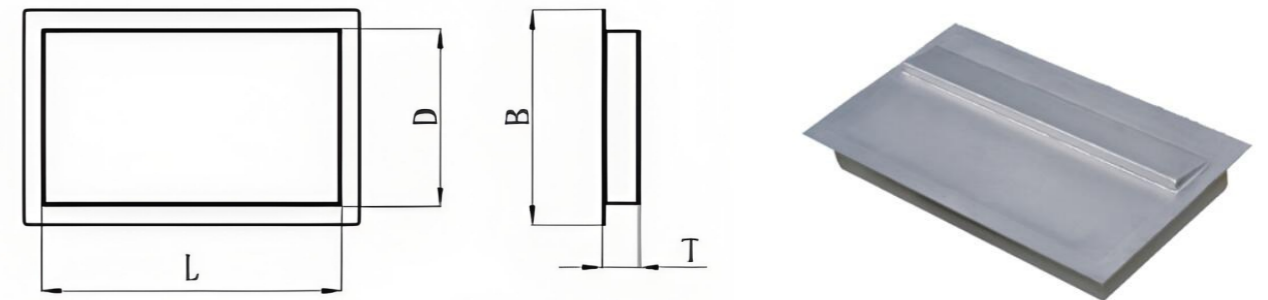
Specification parameter

Model NO	B	D	T	Weight
	MM	MM	MM	KG
F60	250	175	51	5.7
F120	300	225	76	10.4
F150	450	360	111	19.1
F60	190	125	36	3.7
F120	250	175	46	5.9
F150	330	240	56	10.3

Spouts Magnetic Plate

Features

1. Plates with different magnetic action ranges and strong magnetic strength are available. Easy cleaning and assembling.
2. Housing material is stainless steel 304 or 316L which is no pollution to materials.
3. Magnetic plates with different dimensions and extra parts like hinge, handle, and mounting hole can be custom-made.



Specification parameter

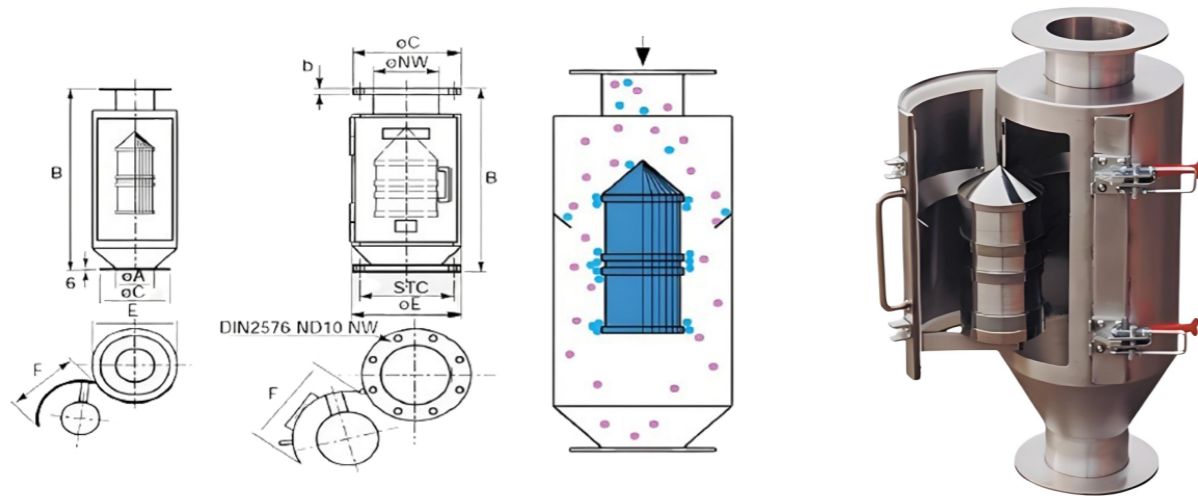
Model NO	B	D	T	Magnets Action Range Dimension	Weight
	MM	MM	MM	Range	KG
SM60	250	175	51	60	5.8
SM120	300	225	76	120	10.5
SM150	450	360	111	150	19.2
SM60	190	125	36	60	3.8
SM120	250	175	46	120	6
SM150	330	240	56	150	10.4

Bullet Magnet Separator

Bullet magnet-housed bullet magnets remove ferrous elements, especially nuts, bolts, washers, staples, rust, etc., from pneumatic and conventional supply lines.

Features

1. Designed not to affect product flow.
2. Stainless steel 304 and 316.
3. Decomposed for cleaning.
4. Light and compact.



Specification parameter

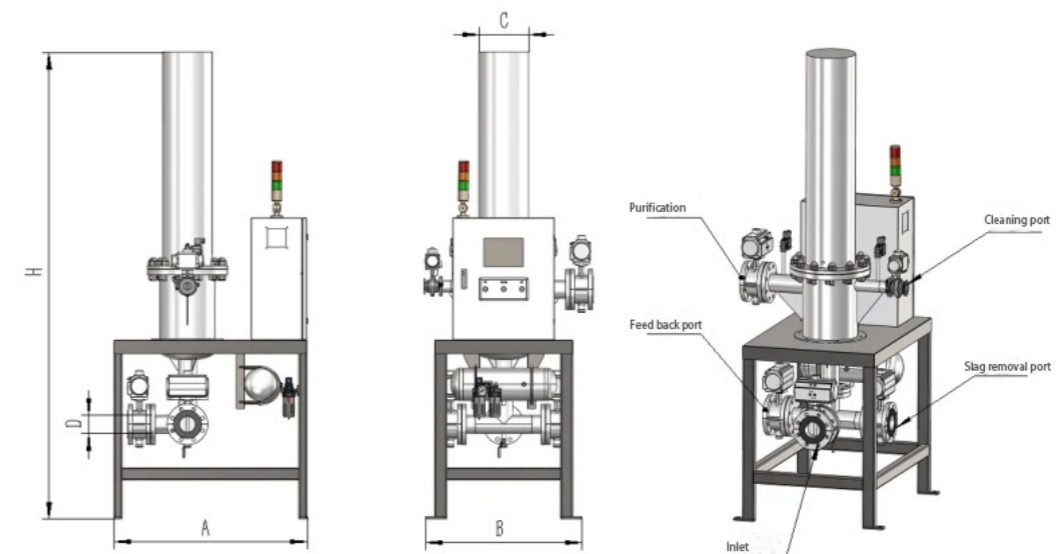
Item no.	A	B	C	E	F	Capacity
						(t/h)
BM-100	100	550	180	220	240	6
BM-150	150	600	230	275	310	20
BM-200	200	650	280	345	405	50
BM-250	250	750	330	430	490	75
BM-300	300	850	400	485	550	100
BM-400	400	950	500	620	665	150
BM-500	500	1100	600	780	770	200

Wet Automatic Cleaning Magnetic Separator

Mainly used for demagnetization and filtration of iron-containing slurry.

Features

1. It can remove micron-level trace magnetic substances (including weak magnetic substances).
2. It can realize automation without manual operation.
3. It can be carried out with multiple groups of magnetic rods, and the permanent magnetic high magnetic field can reach 15000GS.
4. Stable performance, energy saving and high efficiency.
5. You can choose to filter with multiple cylinders in series/parallel for better demagnetization effect.



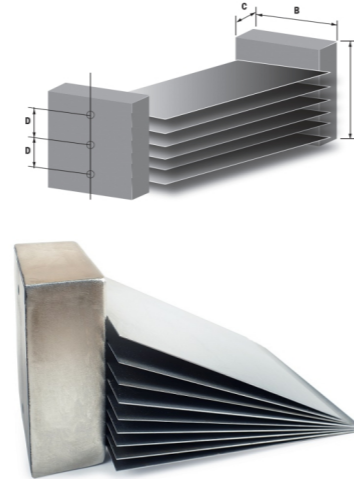
Specification parameter

Model	Work Pressure	Surface Magnetism (Gs)	H (mm)	Pipe Diameter (mm)	B (mm)	C (mm)	D (mm)	Number of Magnetic Rods	Number of Cylinders	Processing Capacity (m³/h)
YCJL-273-SA-G4	≤1.0MPa	12000	1339	89	2123	540	2175	24	4	20m³/h
YCJL-325-SA-G4		15000	1339	125	2450	640	2175	20	4	40m³/h

Magnetic Sheet Fanners

Features

1. Lifetime guarantee of permanent magnetic strength.
2. Less than 4-5% magnetic loss in 100 years.
3. Durable 304 stainless steel construction standard.
4. Finest of Magnetic Materials used meeting with IMA or MMPA standards.
5. Can be applied to manual as well as robotic press-feeding systems.
6. Lift handle and counter-balanced base for stability.

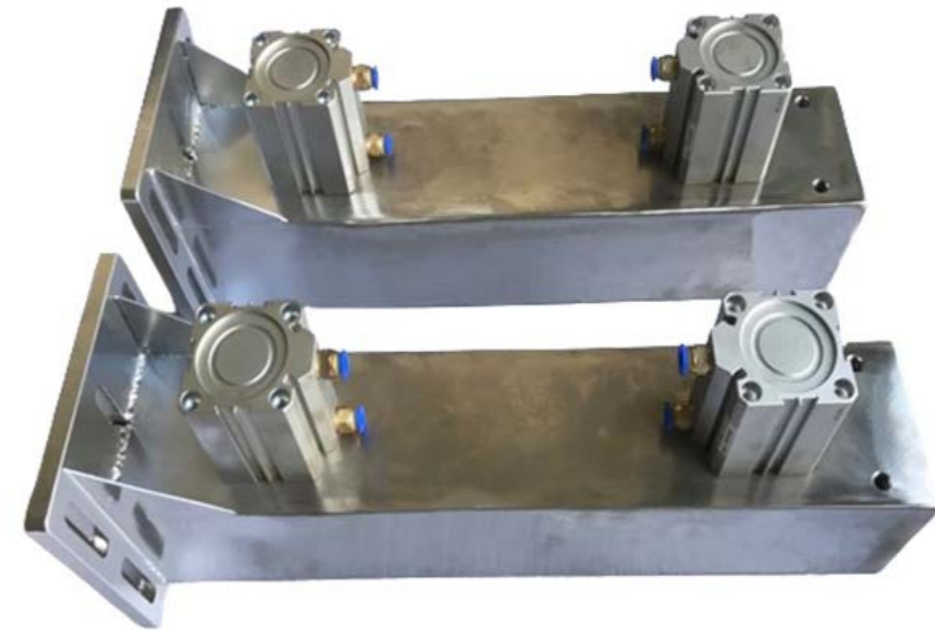


Specification parameter

Part Number	A (")	B (")	C (")	D (")
Series 1 -- For Light Gage Steel				
MSS1-1427	7.25	5.25	1.75	5
MSS1-1428	10.25	5.25	1.75	5
MSS1-1429	13.25	5.25	1.75	5
MSS1-1430	16.25	5.25	1.75	5
Series 2 -- For Medium Gage Steel				
MSS2-1431	10.25	6.25	2.75	8
MSS2-1432	13.25	6.25	2.75	8
MSS2-1433	16.25	6.25	2.75	8
MSS2-1434	19.25	6.25	2.75	8
Series 3 -- For Heavy Gage Steel				
MSS3-1435	10.25	6.25	3.75	10
MSS3-1436	13.25	6.25	3.75	10
MSS3-1437	16.25	6.25	3.75	10

Pneumatic Magnetic Sheet Separator

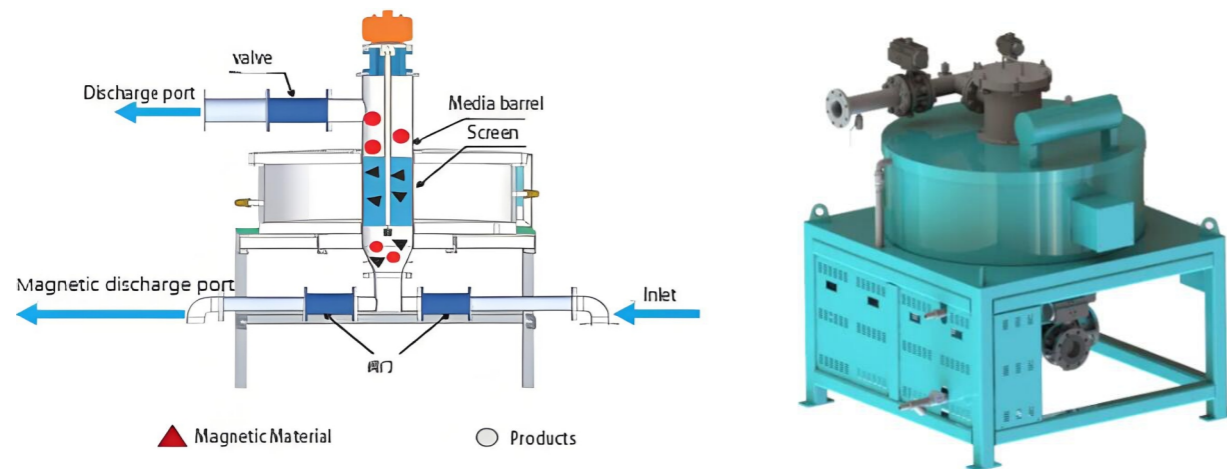
Pneumatic Magnetic Sheet Separator Fanners are designed to separate sticky or oiled steel sheets. A powerful magnetic field automatically forces sheets apart and separates them; when the uppermost sheet is removed, the next rises immediately.



Electromagnetic Separator-Wet Material

Features

1. It can remove trace magnetic substances at the micrometer level (including weak magnetic substances).
2. The stable high magnetic induction working area is greatly improved.
3. Various types of screens can be used to deal with materials of different properties.
4. An automatic cleaning system can be installed to achieve fully automatic operation.
5. A high-power cooling system can be installed to further improve the working magnetic induction intensity.



Specification parameter

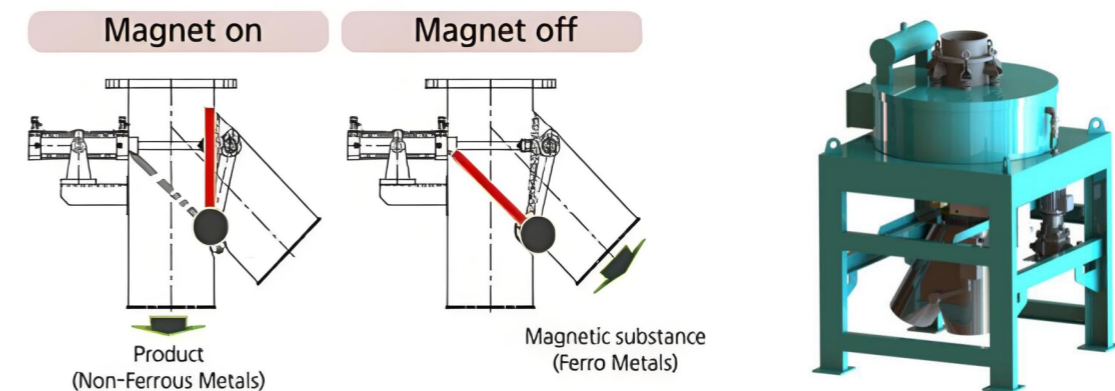
Model	Background Magnetic Field (Gs)	Work Magnetic Field (Gs)	Inner Diameter (mm)	Pipe Diameter (mm)	Weight (T)	Power (KW)	Processing Capacity (m ³ /h)	Size(mm)
DCJL250-3500	3500	0-14000	250	76	2.9	11	5-10m ³ /h	1400×1400×1720
DCJL250-6000	6000	0-24000	250	76	3.1	17	5-10m ³ /h	1400×1400×1720
DCJL300-3500	3500	0-14000	300	89	3.3	12	10-20m ³ /h	1500×1500×1720
DCJL300-6000	6000	0-24000	300	89	3.5	22	10-20m ³ /h	1500×1500×1720
DCJL350-3500	3500	0-14000	350	89	4.0	15	20-25m ³ /h	1600×1600×1720
DCJL350-6000	6000	0-24000	350	89	4.2	24	20-25m ³ /h	1600×1600×1720

Electromagnetic Separator-Dry Material

Used for demagnetization and screening of new energy materials and mineral powder particles (iron lithium, graphite, ternary materials, zirconium oxide, ceramics, chemicals, medicines, etc.).

Features

1. It can remove trace magnetic substances at the micrometer level (including weak magnetic substances).
2. The stable high magnetic induction working area is greatly improved.
3. Customized screen gaps can be used to deal with materials of different properties.
4. Adding variable frequency vibration device makes material unloading smoother and can completely remove iron impurities.
5. The internal finishing of the filter cylinder ensures stable structure and no replacement and maintenance.



Specification parameter

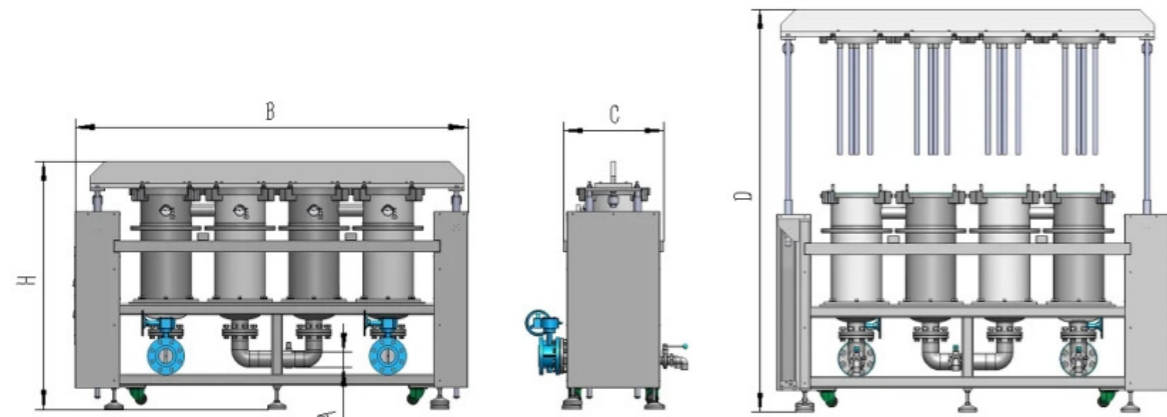
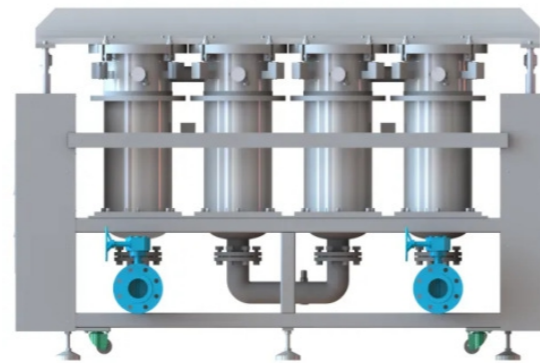
Model	Background Magnetic Field (Gs)	Work Magnetic Field (Gs)	Inner Diameter (mm)	Weight (T)	Power (KW)	Processing Capacity (kg/h)	Size(mm)
DCGF250-3500	3500	0-14000	250	2.6	12	300-800	1440×1522×1845
DCGF250-6000	6000	0-24000	250	3.2	19	300-800	1440×1522×1845
DCGF300-3500	3500	0-14000	300	2.9	13	600-1000	1540×1622×1845
DCGF300-6000	6000	0-24000	300	3.4	23	600-1000	1540×1622×1845
DCGF350-3500	3500	0-14000	350	3.2	16	800-1300	1640×1722×1845
DCGF350-6000	6000	0-24000	350	3.6	25	800-1300	1640×1722×1845

Semi-Automatic Magnetic Separator

Mainly used for demagnetization and filtration of iron-containing slurry.

Features

1. It can remove trace magnetic substances at the micron level (including weak magnetic substances).
2. It can be carried out in multiple groups of magnetic rods, and the permanent magnetic high magnetic field can reach 15000GS.
3. Stable performance, energy saving and high efficiency.
4. You can choose multi-stage filtration in series/parallel mode for better demagnetization effect.
5. It can better adapt to large-scale production line work.



Specification parameter

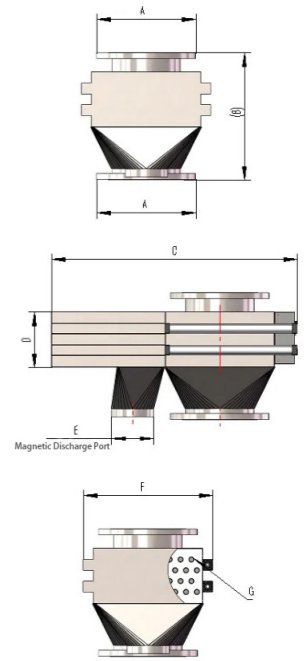
Model	Work Pressure	Surface Magnetism (Gs)	H (mm)	Pipe Diameter (mm)	B (mm)	C (mm)	D (mm)	Number of Magnetic Rods	Number of Cylinders	Processing Capacity (m ³ /h)
YCJL-273-SA-G4	≤1.0MPa	12000	1339	89	2123	540	2175	24	4	20m ³ /h
YCJL-325-SA-G4		15000	1339	125	2450	640	2175	20	4	40m ³ /h

Dry Automatic Cleaning Magnetic Separator

Self-cleaning magnetic separators are widely used in ceramics, new energy, chemicals, plastics, rubber, dyes, mining, environmental protection, and other fields. They are used to automatically separate ferromagnetic impurities from dry powder, flake, granular, and other materials.

Features

1. The magnetic force can be selected in the range of 8000-12000GS.
2. The inlet and outlet can be designed as flanges or square interfaces, which can be easily installed on various pipes.
3. The standard working temperature is ≤80°C. Under special requirements, the maximum working temperature can reach 350°C.
4. The magnetic rack can be arranged in single, double or multi-layer according to customer requirements.
5. The drawer material is 304 and 316L stainless steel, and the inside can be sprayed with PTFE and the outside can be sandblasted.
6. Automatic magnetic removal can be achieved through electrical control.



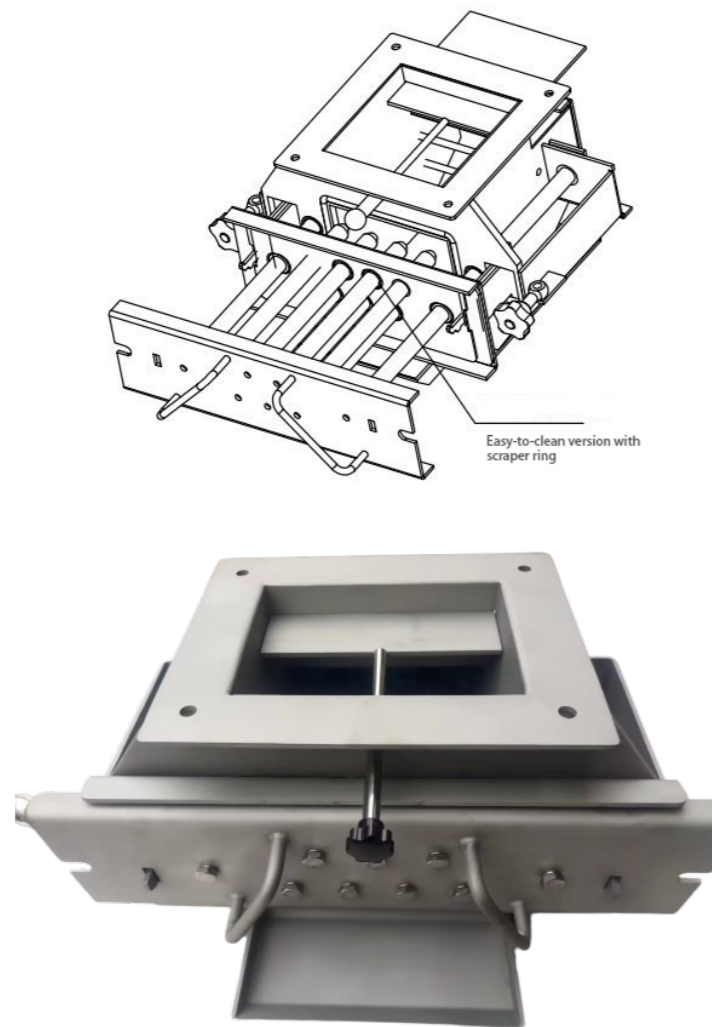
Specification parameter

Model	Surface Treatment	Surface Magnetism (Gs)	B (mm)	Pipe Diameter (mm)	C (mm)	D (mm)	E (mm)	F (mm)	G (mm)
YCZQL-200-FA-6	Sandblasting	12000	767	219	1476	333	250	776	19
YCZQL-400-FA-6	Teflon	12000	767	406	1476	333	250	776	38

Easy Clean Drawer Magnetic Separator

Features

1. The house is stainless steel with a seal.
2. Easy-to-clean version with scraper ring.
3. Single-layer or multi-layer optional, multiple layers preferable to bring better separation effect using this magnet separator
4. This magnet separator has varied connection methods such as clamp, round or rectangular flanges, or customized to meet the requirement of pipe interface.
5. The magnet separator can be customized by request or by drawing.



U-type Pipe Magnetic Separator

Features

1. When the battery slurry passes through the U-shaped magnetic filter, the iron ions in the battery slurry are adsorbed by the multi-stage strong magnetic rods under the magnetic effect of the strong magnetic rod, which greatly reduces the iron ions in the battery slurry. This ensures that the next process can effectively control the iron ion content and improve the quality of the battery slurry product.
2. Use selected strong magnetic rods with a maximum magnetic force of 15000Gs to improve the quality of the battery slurry.
3. The U-shaped iron removal filter is mirror polished as a whole, with bright and smooth inner and outer surfaces without burrs, making the equipment more convenient, quick, and worry-free when cleaning and maintaining.
4. The inlet and outlet or other special requirements can be customized according to the customer's personalized needs.

